

## CARBONIC 1900

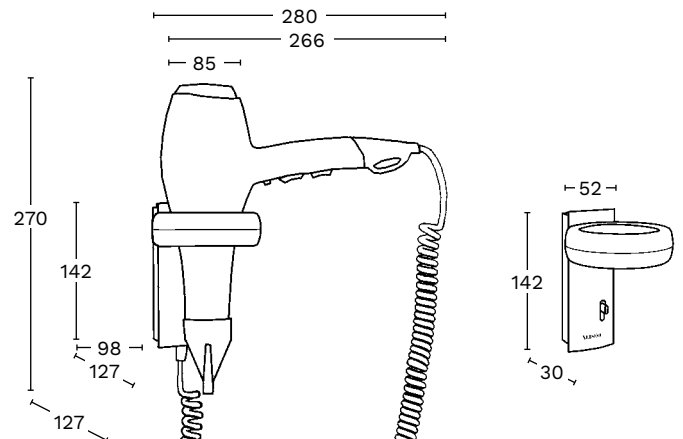
### HAIR DRYER

- Wall holder DROP-IN with interrupter switch
- AC-Motor
- Ionic drying technology
- Three temperature settings
- Two air speeds
- Cold shot button
- Removable nozzle
- Integrated overheating protection
- Coil cord, 60 - 150 cm
- Double insulated (Class II)
- 220-240 V, 50/60 Hz
- 1900 W



#	Color	Connection	Output Steps
010543	carbon-pattern	hard wire	Cool/950W/1900W
010556	carbon-pattern	cord & plug*	Cool/950W/1900W

\* With additional cord and plug for plug-in application



IONTECH



DROP-IN